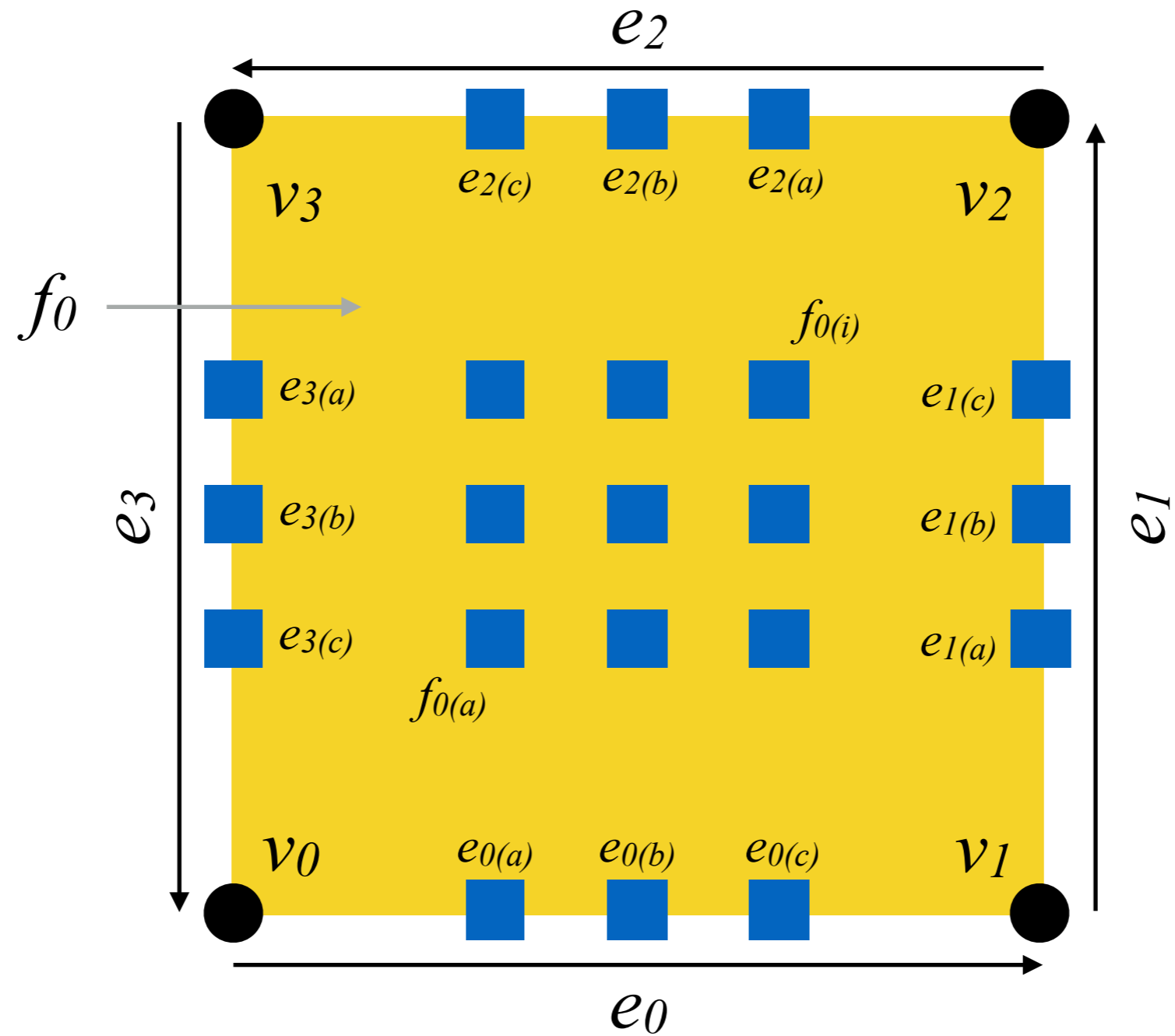


Tensor product space example



DOF ordering

$[f_0(a), \dots, f_0(i), e_0(a), e_0(b), e_0(c), e_1(a), e_1(b), e_1(c), e_2(a), e_2(b), e_2(c), e_3(a), e_3(b), e_3(c), v_0, v_1, v_2, v_3]$